

WORT Pump Range

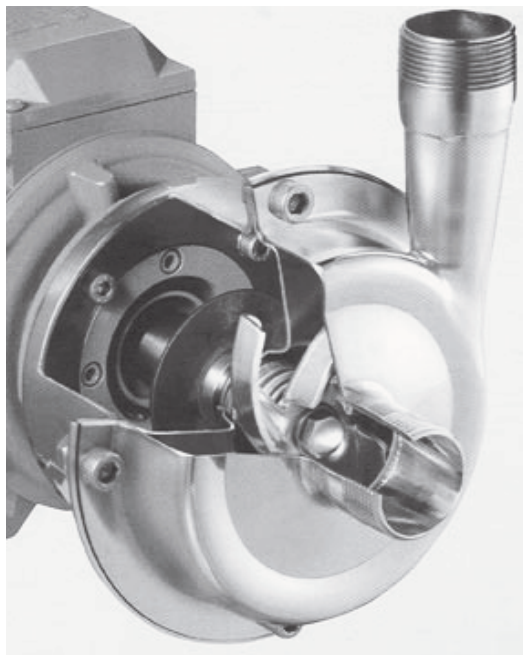


CPS WORT PUMPS

*Parts in contact with the product AISI 316L
Other parts AISI 304
Gaskets VMQ
Mechanical seal
Ceramic/Carbon/EP
Surface finish Electro polished.*

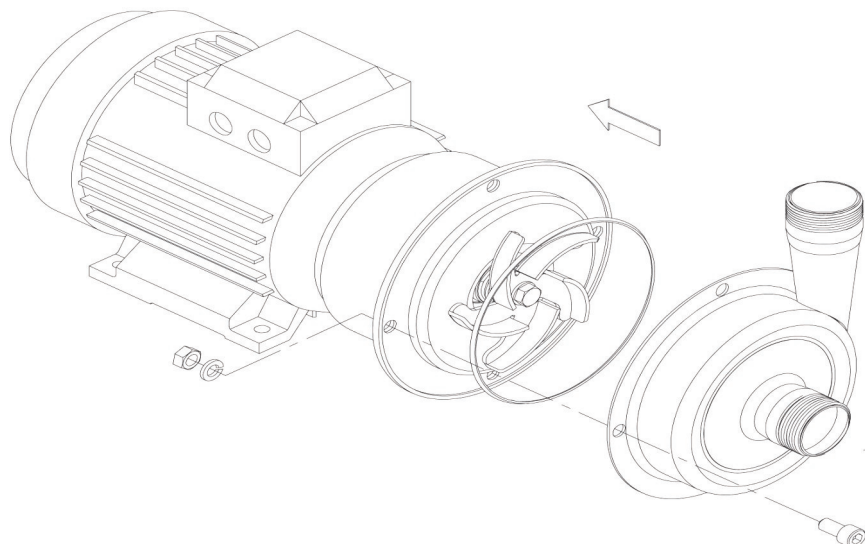
DESIGN FEATURES

*Casing manufactured with cold-formed plate.
BSP / GAS connections.
Open impeller manufactured with stainless steel cold-formed plate or investment casting (according to model).
Internal mechanical seal.
Simple parts and easy maintenance.
Motor according to IE2 standard, IE3 available*



- Six model options giving
Flows up to 52000 L/Hr
Heads up to 42 meters
- The WORT pumps have been derived to replace the Ebara CDX / CD range and Lowara CEA / CA range commonly used in the micro brewing industry.
- Due to the design they produce higher flow rates. They can also pump soft solids, please consult for further information.
- Mechanical seal material options:
Stainless Silicon Tungsten Viton

These centrifugal pumps are open vane impeller so are exempt from the Eup / Erp regulations that have come into force. The open impeller design also meets the auxiliary services in the Food, Chemical, Pharmaceutical, Beverage and Wine industries. The monobloc design for space saving and ease of maintenance are features along with the quality of build that plant managers and technicians require from the modern plant. The pump is not Hygienic but we can offer alternative pumps that meet the 3A, EHEDG, FDA and ATEX
Available with 230v / 110v and 400v motors



TECHNICAL SUPPORT

Please do not hesitate to contact us for technical support. We wish to ensure that you select the correct product for your application

CONTACT INFORMATION

For more information on any of our products or services please visit us on the Web at:

www.centrifugalpumps.co.uk

www.ebara-pumps-online.com

Tel: 0161 428 0133

Fax: 0161 428 0133

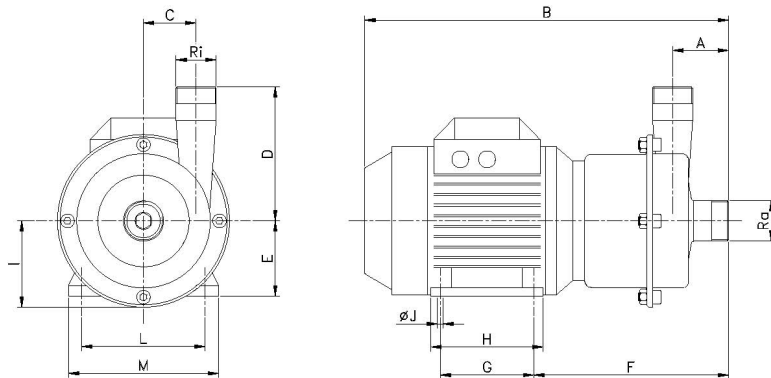
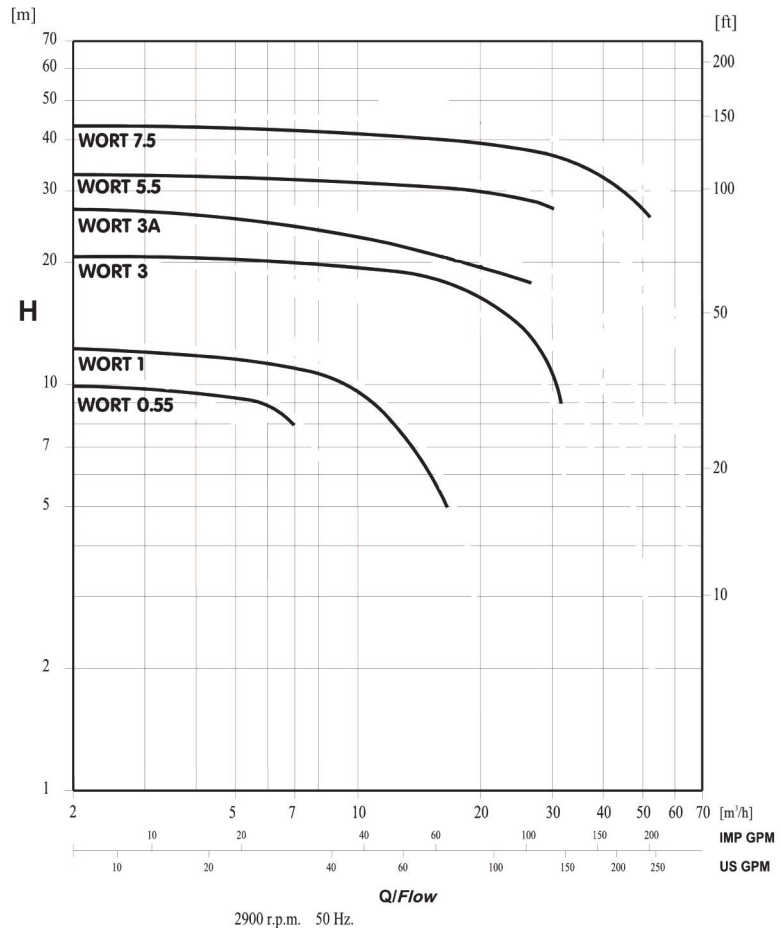
Email:

sales@centrifugalpumps.co.uk

Our advice is FREE so do not hesitate to call



Curves and Dimensions



Pump Type	Frame	Motor KW	Speed	GAS/BSP Ra	GAS/BSP2 Ri	A	B	C	D	E	F	G	H	I	J	L	M
Wort 0.55	71	0.37		1"	3/4"	60	370	36	100	71	193	90	110	73	7	112	137
WORT 1	80	0.75	2	1 1/2"	1"	64	395	48	110	80	204	100	125	86	9	125	160
WORT 3	90L	2.2	9	1 1/2"	1 1/2"	67	475	66	160	90	227	125	155	103	10	140	175
WORT 3A	90L	2.2	9	1 1/2"	1 1/2"	67	475	66	160	90	227	125	155	103	10	140	175
WORT 5.5	132	5.5	0	2"	2"	70	535	92	192	112	258	140	180	128	12	216	230
WORT 7.5	132	7.5		2"	2"	70	600	92	192	132	300	140	180	150	12	216	255

Copy write of Centrifugal Pump Services Ltd Pump House Bird hall Lane Cheadle Heath Stockport SK3 0XX